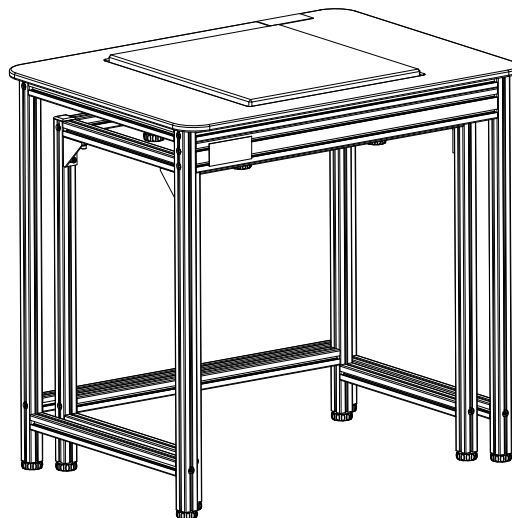


ANTI-VIBRATION TABLE

Part No. 304666011 – Rev C, September 2017



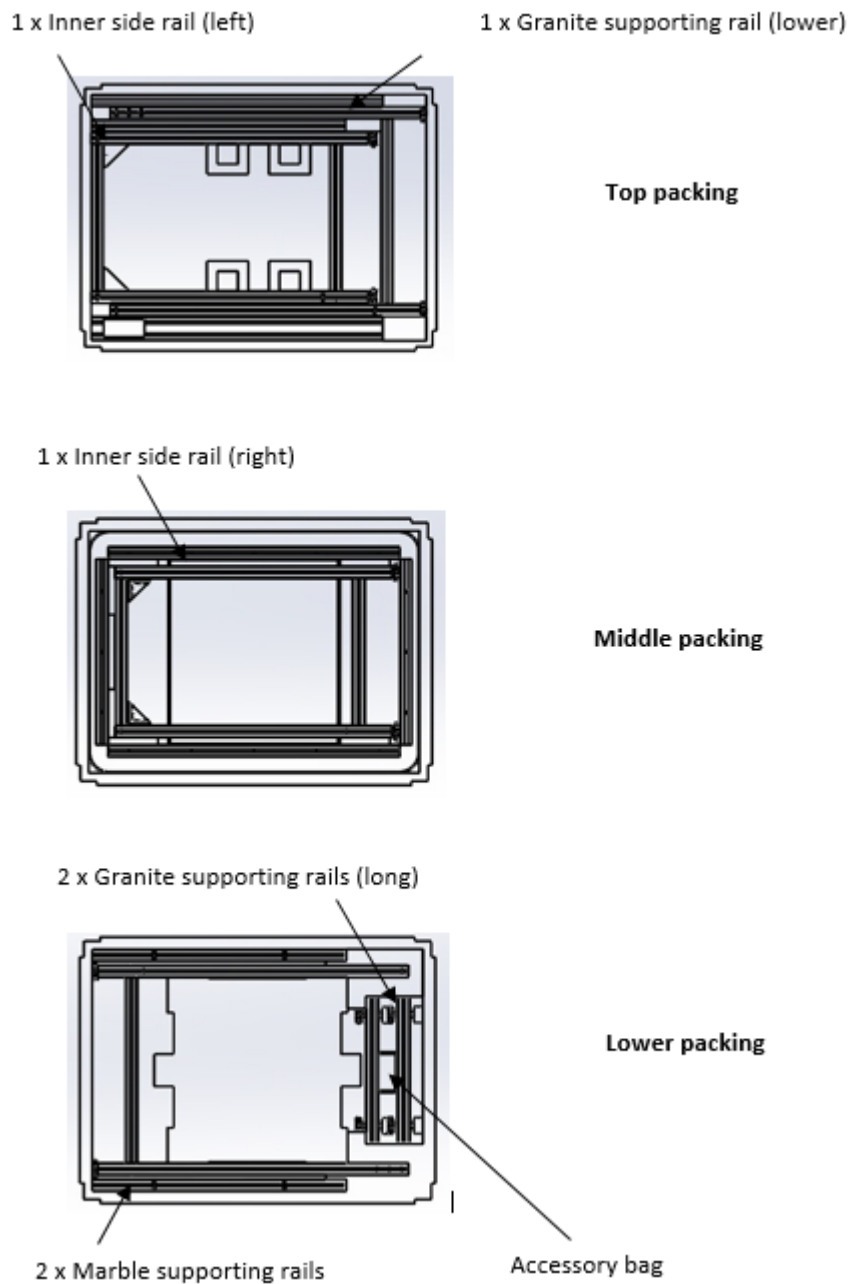
Thank you for purchasing the Adam AVT, we hope that you will be satisfied with your purchase, if you have any questions concerning the assembly of your table then please contact your distributor or nearest Adam office, details of which can be found on our website: www.adamequipment.com

AVT Assembly Instruction

All fixings should be loosely fitted first and then firmly tightened when the table frame is assembled. This makes assembly easier.

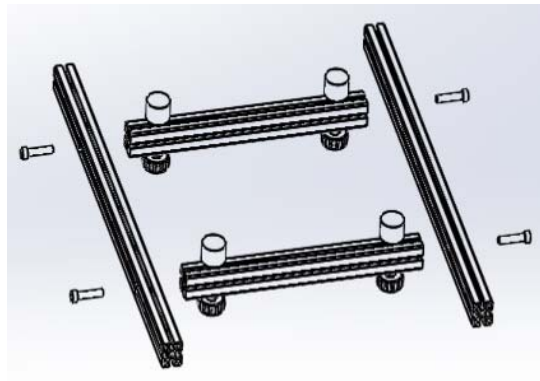
1. Inner Frame Assembly:

Step One: open the packing box, take out the top, middle and lower packing assemblies and the accessory bags, please locate the packing assemblies as Picture 1 shows.



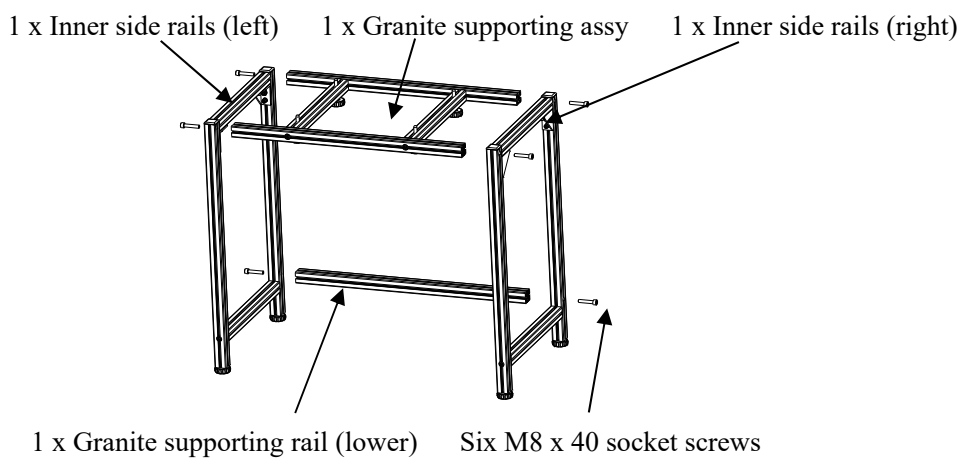
Picture 1: Inside view for inner frames

Step Two: take out 2 x granite supporting rails (long), 2 x granite supporting rails (short) and accessory bag from lower packing. Fix them using four M8×40 screws with the Allen key that is in the accessory bag. Please see picture 2. Make sure the surfaces of rails are aligned and flat.

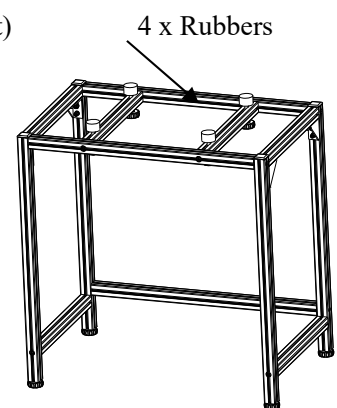


Picture 2

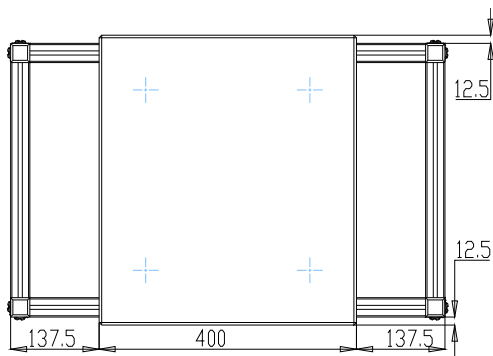
Step Three: take out Inner side rail (left) from top packing and inner side rail (right) from middle packing, fix them using four M8×40 screws with the Allen key, see picture 3. Then take out a granite supporting rail (lower) from the top packing, and fix it with two M8 x 40 screws. You can open the 2 side frames a little in order to put the rails inside the frames, and then tighten the 6 screws as picture 3 shows. Please make sure the 2 adjoining fixing planes are in the same plane after the fitting. Now fit 4 x rubbers as the picture 4 shows. Finally, fit the granite; please make sure it is in the center. Please see picture 5. You can see the assembled view as picture 6.



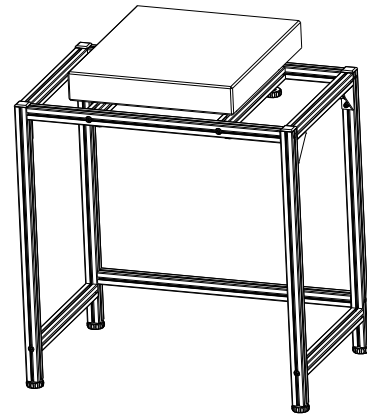
Picture 3: Inner frames assembly



Picture 4: Assembly sketch drawing for inner frames



Picture 5: The position of granite

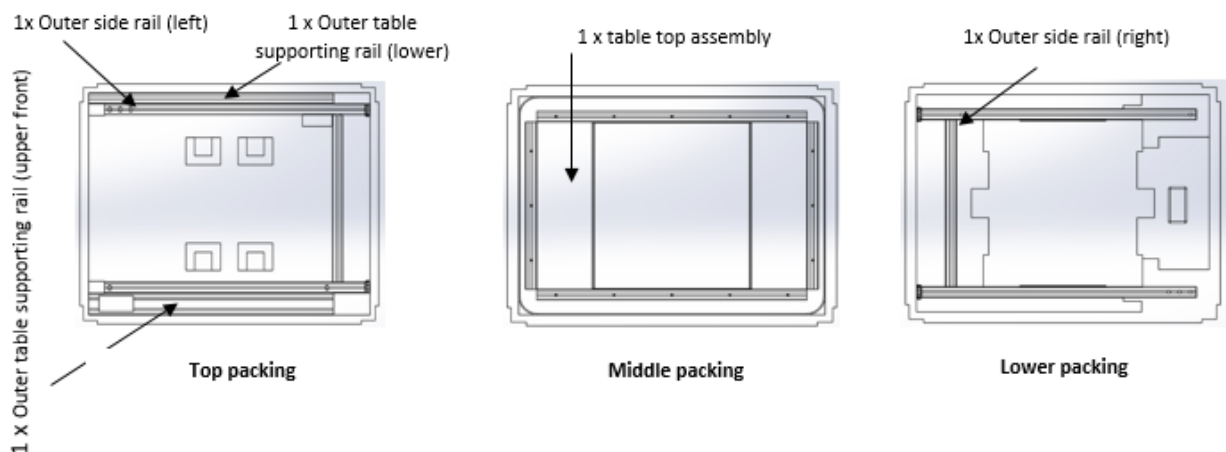


Picture 6: Assembled inner frames

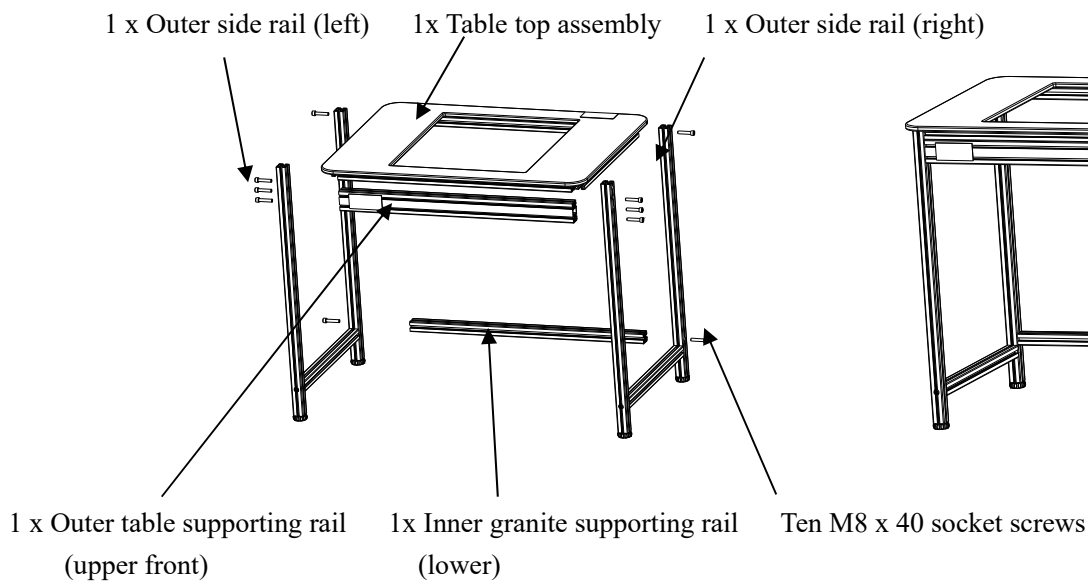
2. Outer Frame Assembly

Take out the outer side rail (left) from top packing, table top assembly from middle packing and the outer side rail (right) from lower packing (as picture 7 shows). Fix them using four M8×40 screws. Then take out an outer table supporting rail (upper front) from the lower packing, and fix it with four M8 x 40 screws. Take out an outer table supporting rail (lower) and fix with two M8 x 40 screws. You can open the 2 side frames a little in order to put the rails inside the frames, and then tighten the 10 screws as picture 8 shows. Please make sure the 2 adjoining fixing planes are in the same plane after the fitting. You can see the assembled view as picture 9.

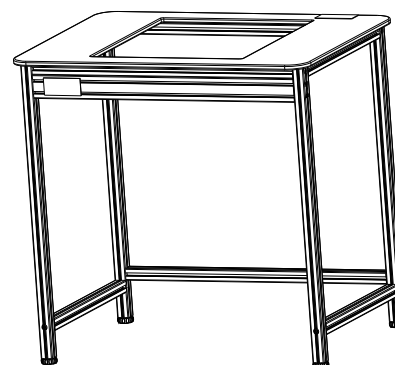
When setting up the outer frames please fit the AE domed labels to the left hand side of the outer table supporting rail and the right at the back of the table top, as Picture 9 shows, to ensure you have everything the correct way round.



Picture 7: Inside view for outer frames



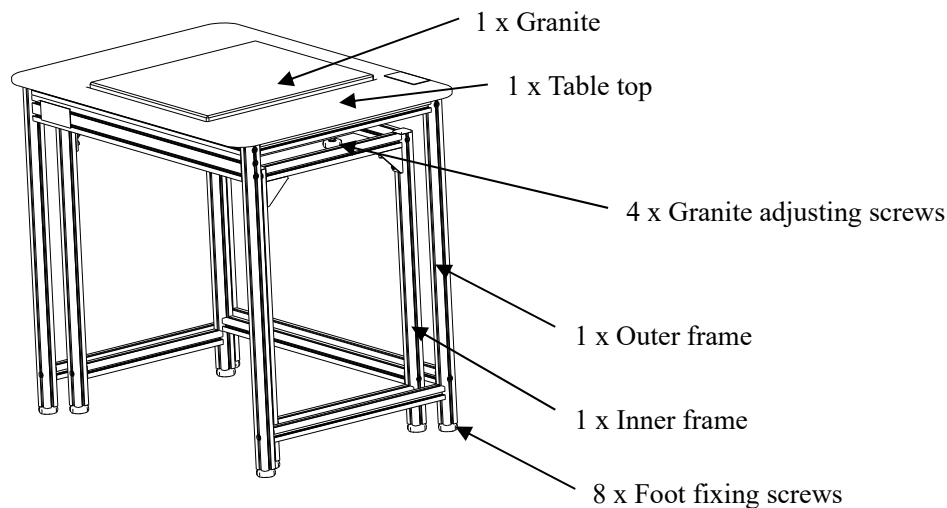
Picture 8: Outer frame assembly drawing



Picture 9: Assembled outer frames

3. Final Assembly

Put inner frame inside the outer frame, and adjust the feet screws for outer/inner frames to make 4 feet even and level. Level the granite by turning the granite adjusting screws, the granite should be 2-5mm higher than the table top, making sure 4 x rubbers are all adjusted firmly against the granite and that the granite is level. Please see picture 10.



Picture 10: Final assemble drawing with the granite 2-5mm higher than the table top

WARRANTY STATEMENT

Adam Equipment offers Limited Warranty (Parts and Labour) for any components that fail due to defects in materials or workmanship. Warranty starts from the date of delivery.

During the warranty period, should any repairs be necessary, the purchaser must inform its supplier or Adam Equipment Company. The company or its authorised Technician reserves the right to repair or replace the components at any of its workshops at no additional cost, depending on the severity of the problems. However, any freight involved in sending the faulty units or parts to the Service Centre should be borne by the purchaser.

The warranty will cease to operate if the equipment is not returned in the original packaging and with correct documentation for a claim to be processed. All claims are at the sole discretion of Adam Equipment.

This warranty does not cover equipment where defects or poor performance is due to misuse, accidental damage, exposure to radioactive or corrosive materials, negligence, faulty installation, unauthorised modifications or attempted repair, or failure to observe the requirements and recommendations as given in this User Manual.

This product may include a rechargeable battery that is designed to be removed and replaced by the user. Adam Equipment warrants that it will provide a replacement battery if the battery manifests a defect in materials or workmanship during the initial period of use of the product in which the battery is installed.

As with all batteries, the maximum capacity of any battery included in the product will decrease with time or use, and battery cycle life will vary depending on product model, configuration, features, use, and power management settings. A decrease in maximum battery capacity or battery cycle life is not a defect in materials or workmanship, and is not covered by this Limited Warranty.

Repairs carried out under the warranty do not extend the warranty period. Components removed during warranty repairs become company property.

The statutory rights of the purchaser are not affected by this warranty. The terms of this warranty is governed by the UK law. For complete details on Warranty Information, see the terms and conditions of sale available on our web-site.

ADAM EQUIPMENT is an ISO 9001:2008 certified global company with more than 40 years' experience in the production and sale of electronic weighing equipment.

Adam products are predominantly designed for the Laboratory, Educational, Health and Fitness, Retail and Industrial Segments. The product range can be described as follows:

- Analytical and Precision Laboratory Balances
- Compact and Portable Balances
- High Capacity Balances
- Moisture analysers / balances
- Mechanical Scales
- Counting Scales
- Digital Weighing/Check-weighing Scales
- High performance Platform Scales
- Crane scales
- Mechanical and Digital Electronic Health and Fitness Scales
- Retail Scales for Price computing

For a complete listing of all Adam products visit our website at

www.adamequipment.com

<p>Adam Equipment Co. Ltd. Maidstone Road, Kingston Milton Keynes MK10 0BD UK Phone:+44 (0)1908 274545 Fax: +44 (0)1908 641339 e-mail: sales@adamequipment.co.uk</p>	<p>Adam Equipment Inc. 1, Fox Hollow Rd. 06478 Oxford, CT USA Phone: +1 203 790 4774 Fax: +1 203 792 3406 e-mail: sales@adamequipment.com</p>	<p>AE Adam GmbH. Instenkamp 4 D-24242 Felde Germany Phone +49 (0)4340 40300 0 Fax: +49 (0)4340 40300 20 e-mail: vertrieb@aeadam.de</p>
<p>Adam Equipment S.A. (Pty) Ltd. 7 Megawatt Road, Spartan EXT 22 Kempton Park, Johannesburg, Republic of South Africa Phone +27 (0)11 974 9745 Fax: +27 (0)11 392 2587 e-mail: sales@adamequipment.co.za</p>	<p>Adam Equipment (S.E. ASIA) PTY Ltd 2/71 Tacoma Circuit CANNING VALE 6155 Perth Western Australia Phone: +61 (0) 8 6461 6236 Fax +61 (0) 8 9456 4462 e-mail: sales@adamequipment.com.au</p>	<p>Adam Equipment (Wuhan) Co. Ltd. A Building East Jianhua Private Industrial Park Zhuanyang Avenue Wuhan Economic & Technological Development Zone 430056 Wuhan P.R.China Phone: + 86 (27) 59420391 Fax + 86 (27) 59420388 e-mail: info@adamequipment.com.cn</p>

© Copyright by Adam Equipment Co. All rights reserved. No part of this publication may be reprinted or translated in any form or by any means without the prior permission of Adam Equipment.

Adam Equipment reserves the right to make changes to the technology, features, specifications and design of the equipment without notice.

All information contained within this publication is to the best of our knowledge timely, complete and accurate when issued. However, we are not responsible for misinterpretations which may result from the reading of this material.

The latest version of this publication can be found on our Website.

www.adamequipment.com

